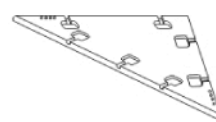
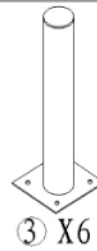


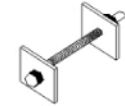
①X6



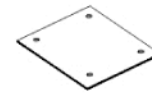
②X2



③ X6



④X16



⑤X2

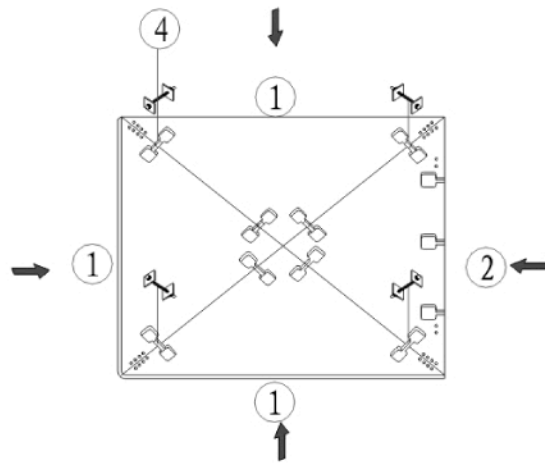


⑥X9

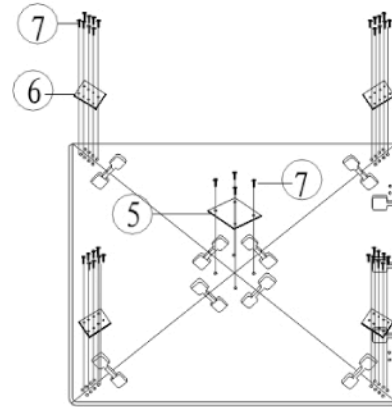


⑦X80

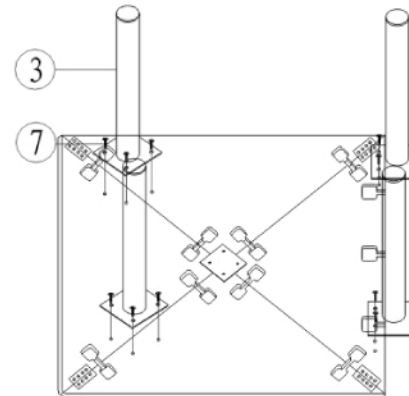
Step 1:



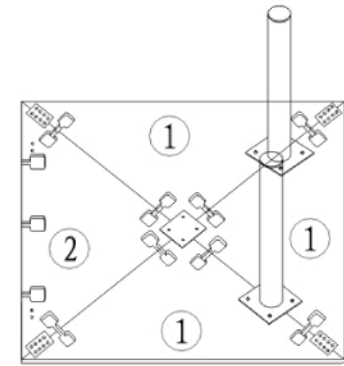
Step 2:



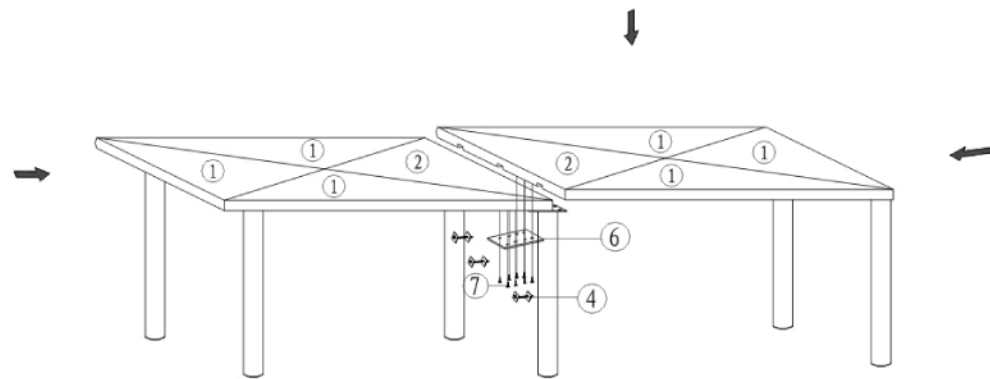
Step 3:



Step 4:



STEP 5:



FINISH:

